

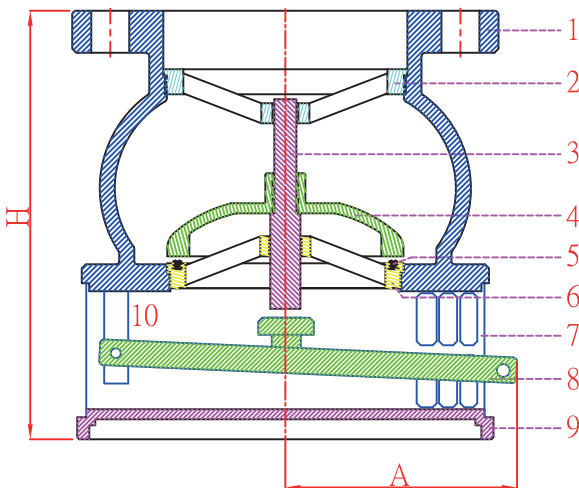


FOOT VALVE (With Clean Lever)



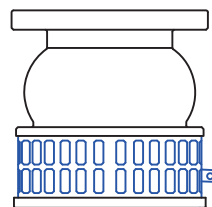
Foot valve is for use as inlet of suction pipe. A modified check valve that has a screen on the suction end to prevent debris from entering the pump or pipe. It protects against loss of prime, aids in priming the pump and protects the pump from large debris. (Only Vertical installation)

- ▶ Fluid : Water
- ▶ Max Working Pressure :
Cast Iron : 12 kg/cm²
Ductile Iron & Stainless Steel : 20 kg/cm²



| | Part Name | Material | | |
|----|-------------|-----------------|-----------------|-----------------|
| 1 | Main Body | Cast Iron | Ductile Iron | Stainless Steel |
| 2 | Upper Seat | Brass | Brass | Stainless Steel |
| 3 | Shaft | Brass | Brass | Stainless Steel |
| 4 | Disc | Ductile Iron | Ductile Iron | Stainless Steel |
| 5 | Sealing | NBR | NBR | NBR |
| 6 | Seat | Brass | Brass | Stainless Steel |
| 7 | Screen | Stainless Steel | Stainless Steel | Stainless Steel |
| 8 | Clean Lever | Ductile Iron | Ductile Iron | Stainless Steel |
| 9 | Screen Seat | Ductile Iron | Ductile Iron | Stainless Steel |
| 10 | Lever Stand | Ductile Iron | Ductile Iron | Stainless Steel |

FLANGE STANDARD: CLASS 150/CLASS 300 ANSI
(Flange End)



Model : FVF

| Item No. | Size | H | A | Weight(kg) |
|----------|------|-----|-----|------------|
| FVF-50 | 2" | 160 | 95 | 7 |
| FVF-65 | 2.5" | 165 | 105 | 8 |
| FVF-80 | 3" | 210 | 115 | 11 |
| FVF-100 | 4" | 215 | 125 | 14 |
| FVF-125 | 5" | 240 | 145 | 20 |
| FVF-150 | 6" | 275 | 160 | 27 |
| FVF-200 | 8" | 380 | 185 | 46 |



Model : FVT

(Thread End)

| Item No. | Size | H | A | Weight(kg) |
|----------|--------|-----|-----|------------|
| FVT-50 | 2" | 160 | 95 | 5 |
| FVT-65 | 2 1/2" | 165 | 105 | 6 |