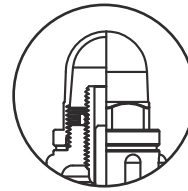
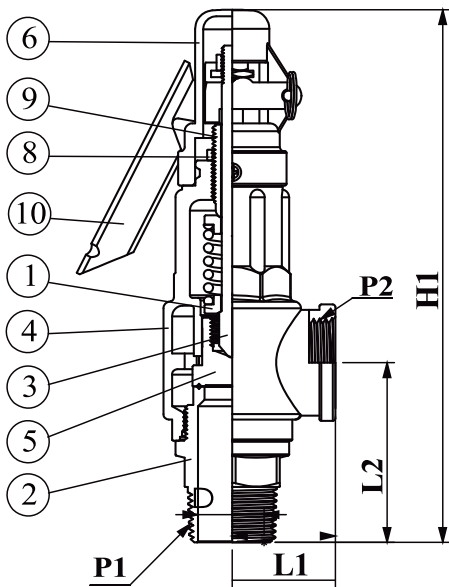


HSR

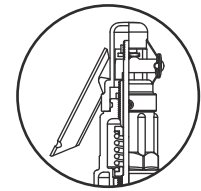
series

High Lift Safety Valve -Bronze Type

- Size: 1/2"(DN15) to 2 1/2"(DN65)
- Working Pressure: 0.1 to 40 bar
- Working Temp.: -185°C to 200°C
- Connection Standard: NPT/PT/BSPP/BSPT.....etc.



HSR24



HSR25

ITEM	PARTS	MATERIAL	
		HSR24	HSR25
1	VALVE BODY	BRONZE	BRONZE
2	VALVE SEAT	SS304	SS304
3	STEM	BRASS	BRASS
4	SPRING SEAT	BRASS	BRASS
5	DISC	SS304 (+VITON/PTFE)	SS304 (+VITON/PTFE)
6	CAP	BRONZE	BRONZE
7	SPRING	STEEL	STEEL
8	NUT	BRASS	BRASS
9	ADJUSTING SCREW	BRASS	BRASS
10	HANDLE	-	STEEL

DIMENSIONS (MM)									
P1 INLET	P2 OUTLET	D ORIFICE DIAMETER	A ORIFICE AREA (MM ²)	LIFT	L1	L2	WEIGHT (KG)		
							HSR24	HSR25	
1/2"	3/4"	15	176.6	1.04	35	53.5	0.66	0.755	
1/2"	1"	15	176.6	1.52	39	63	1.08	1.278	
3/4"	1"	19.5	298.5	1.52	39	62.5	1.06	1.25	
1"	1"	21	346.2	1.52	39	68	1.06	1.25	
1"	1 1/4"	26	530.7	2	32	74.5	1.96	2.03	
1 1/4"	1 1/2"	33	854.9	2.56	58.5	88.5	2.55	2.64	
1 1/2"	2"	39	1194.0	3.04	64.5	100.5	3.92	4	
2"	2"	39	1194.0	3.04	64.5	103.5	4.11	4.36	
2"	2 1/2"	50	1962.5	4	72	110	5.29	5.5	